



Bollards, Column Guards,
Corner Guards, Wheel Stops,
Speed Humps & Fixings



Lockinex[®]
great service, great quality

INTRODUCTION

Protecting Building Curtilage, Assets & Personnel the Lockinex range of Bollards & Guards are used throughout industry and the public sector.

Assisting in guiding vehicles and preventing damage to structures and plant, they are readily available, for quick installation.

APPLICATION

Structures & Plant can be quickly protected using the range of products available.

When used in conjunction with the Lockinex range of Crash Barrier components and Guardrail/Handrail systems a complete protection system can be formed. Impacts from Forklift Trucks, Commercial Vehicles & Cars can be contained. Safety walking areas can be constructed for pedestrians.

DESIGN

Stock items are readily available.

Lockinex offer a bespoke service - Please send details for further discussion and pricing.



Parking Bollard

COMPOSITION, MANUFACTURE

The range of products includes;

Plastic Bendy Bollards, Rubber Corner Guards, & Galvanised Mild Steel.

Each product lends itself to various applications, of which can be reviewed within this brochure.



Column Guard

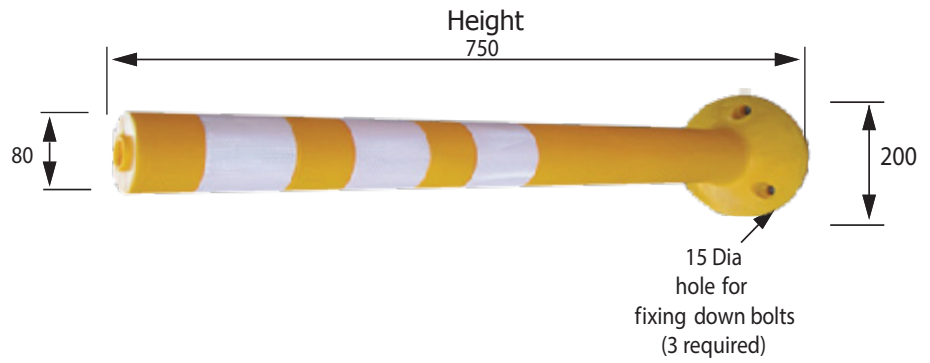


Heavy Duty Wheel Stop

Bollard-05 (Plastic Bendy)



Hi-vis yellow bollard with reflective strips



This product is a flexible, Hi-Vis bollard. The flexibility allows the bollard to bend under impact. Use M12 fixing down bolts . (3 required per post).

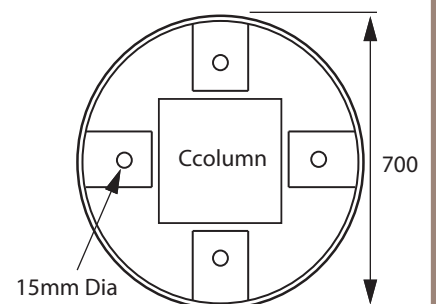
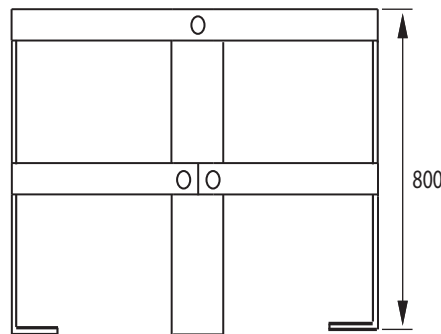
Barrier-14-Steel



1250mm Wide x 1000mm High

Supplied in kit form, options are complete as shown, or without Mesh panel, Toe board or Middle rail. Use M10 Fixing bolts in base plates.(6 Required per barrier)

CG-800H- Column Guard

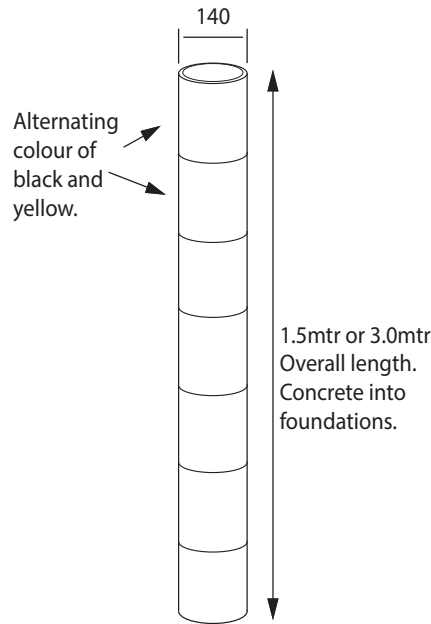
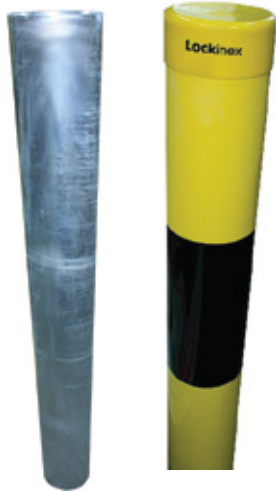


Supplied in kit form. 800mm High x 700mm diameter. All hoops and legs made from 75mm x 100mm heavy duty steel. Available with a galvanised or hi-vis yellow finish.

- Bollard-03 1.5mtr Long - Galvanised Finish-Concrete In
- Bollard-04 3.0mtr Long - Galvanised Finish-Concrete In
- Bollard-11 1.5mtr Long - Galvanised & Powder Coated Black & Yellow-Concrete In
- Bollard-13 3.0mtr Long - Galvanised & Powder Coated Black & Yellow-Concrete In



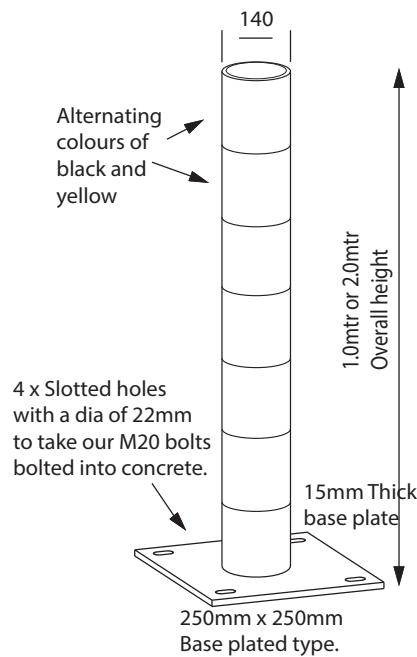
VB29-Post Cap
Order separately



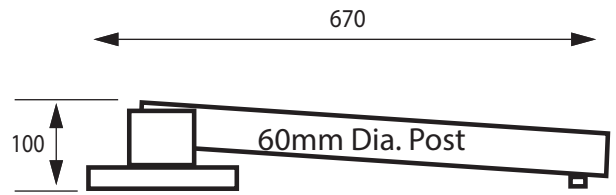
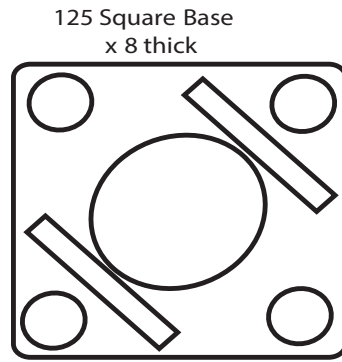
- Bollard-06 1.0mtr Tall - Galvanised Finish-Base Plated
- Bollard-07 2.0mtr Tall - Galvanised Finish-Base Plated.
- Bollard-08 1.0mtr Tall - Galvanised & Powder Coated Black & Yellow-Base Plated
- Bollard-09 2.0mtr Tall - Galvanised & Powder Coated Black & Yellow-Base Plated



VB29-Post Cap
Order separately

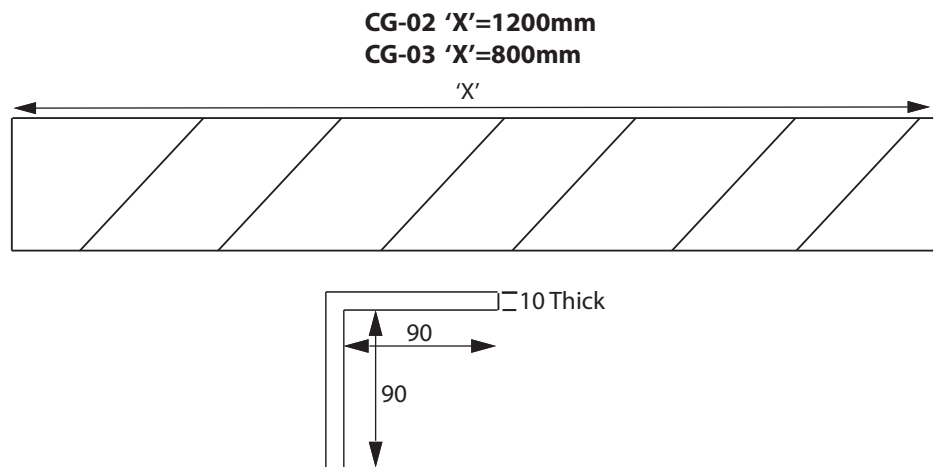


Bollard-01



Lockinex Parking Restriction Posts are manufactured from mild steel, with a Hi-Vis powder coated finish. They require little maintenance. Oil should be applied to the key lock as and when required.

CG-02 - 1200mm
CG-03 - 800mm



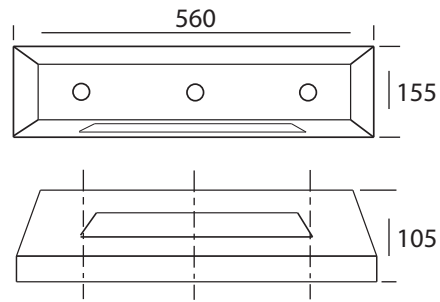
The corner guard has a thickness of 10mm to resist against impact. It is made from rubber to give the maximum protection. The length of the guard is 1200mm/800mm and it has reflective strips on it to create a visible marker. The internal corner dimension is 90mm x 90mm nominal. It is fixed to the wall by drilling and screw fixing, or using a high strength adhesive.

Code 213206



800mm High Steel Corner Guard. Painted yellow with additional black stripes. Use 4 x M12 fixings to secure to concrete floor. Superior steel section to protect warehouse racking & corners of buildings.

WS-560

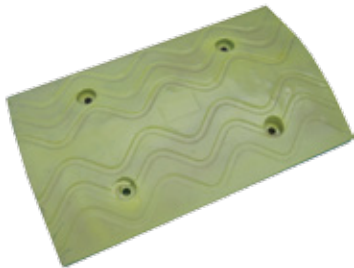
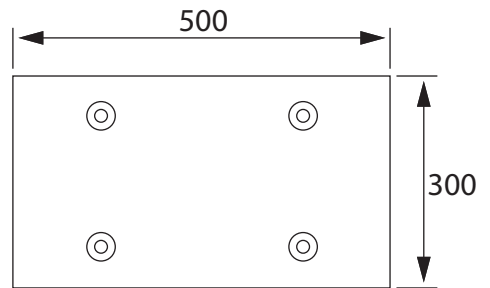


A robust, high density, rubber wheel stop/loading bay bump stop with a high-vis reflective yellow strip.
Fixed to floor using our tarmac fixing (for tarmac), our F-M20 x 160 Through Bolt or our M20 Stud (Used with Resin System).

Speed Bumps



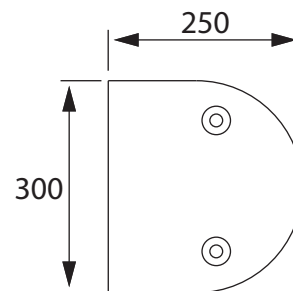
SH-01-Black



SH-02-Yellow

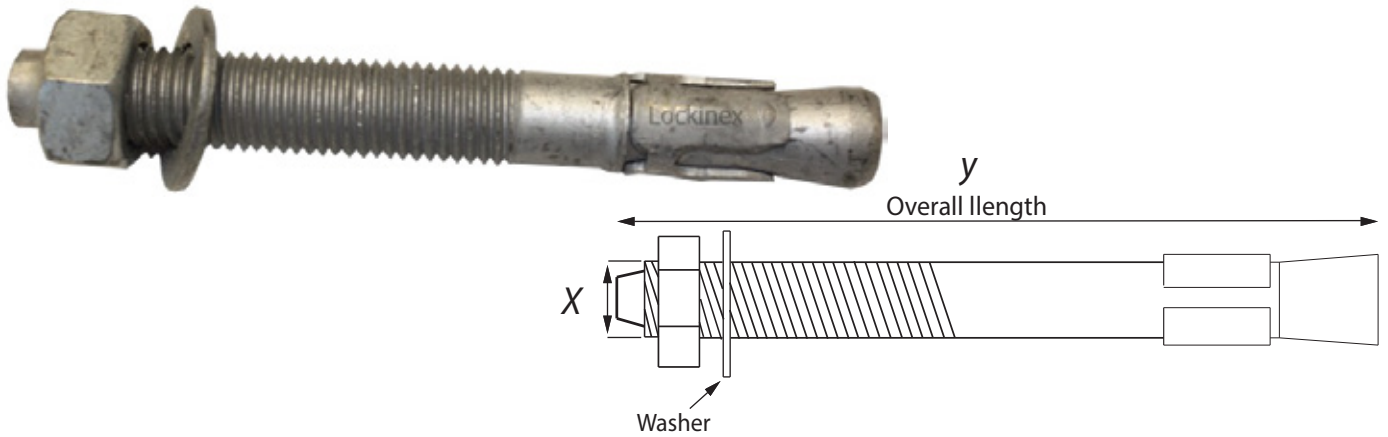


SH-03-Yellow



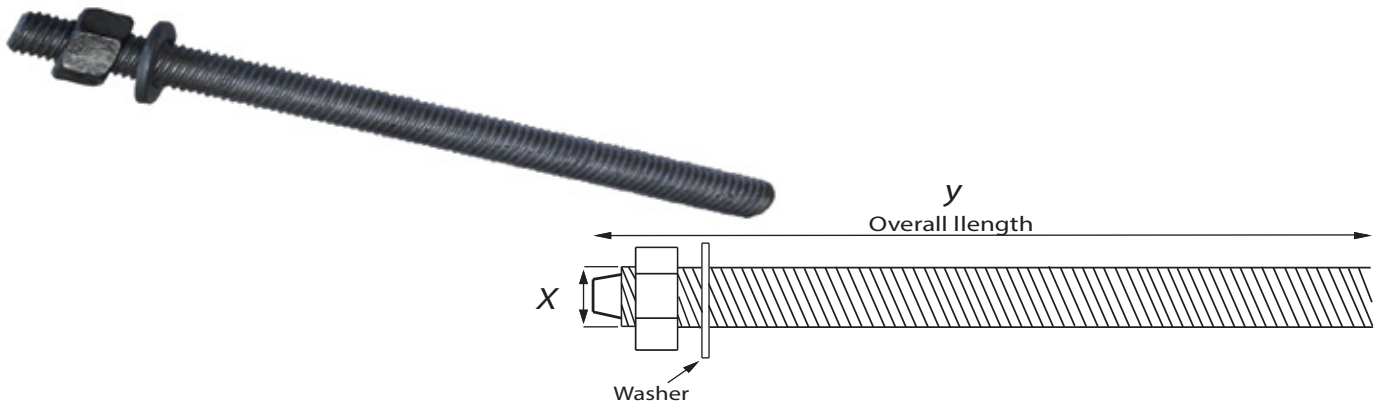
SH-04-Black

F-M12(x) 100mm(y) Through Bolt -(Drill 12mm dia. hole)
 F-M16(x) 140mm(y) Through Bolt - (Drill 16mm dia. hole)
 F-M20(x) 160mm(y) Through Bolt - (Drill 20mm dia. hole)



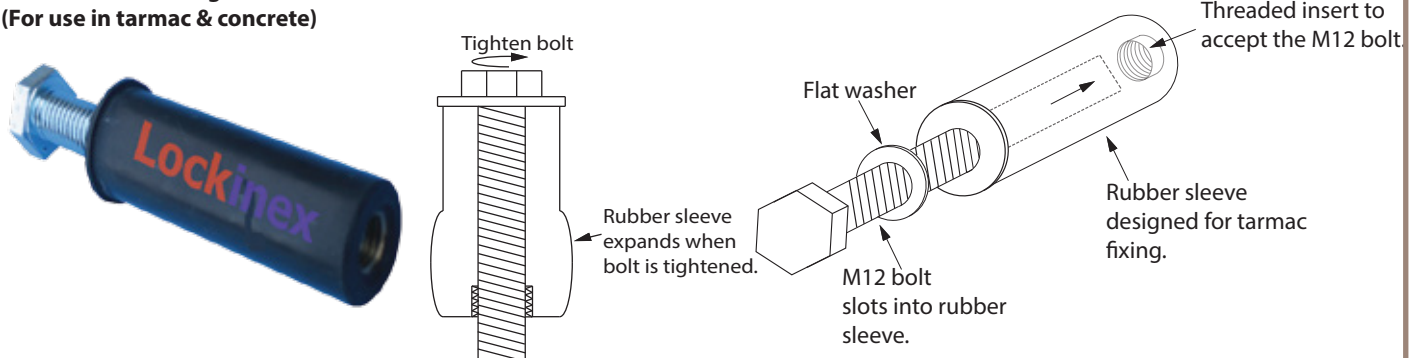
Lockinex holding down bolt. For use in concrete. Hot dip Galvanised finish.

F-M16(x) 190mm(y) Stud-Use with Chemical-resin System
 F-M20(x) 260mm(y) Stud-Use with Chemical Resin System



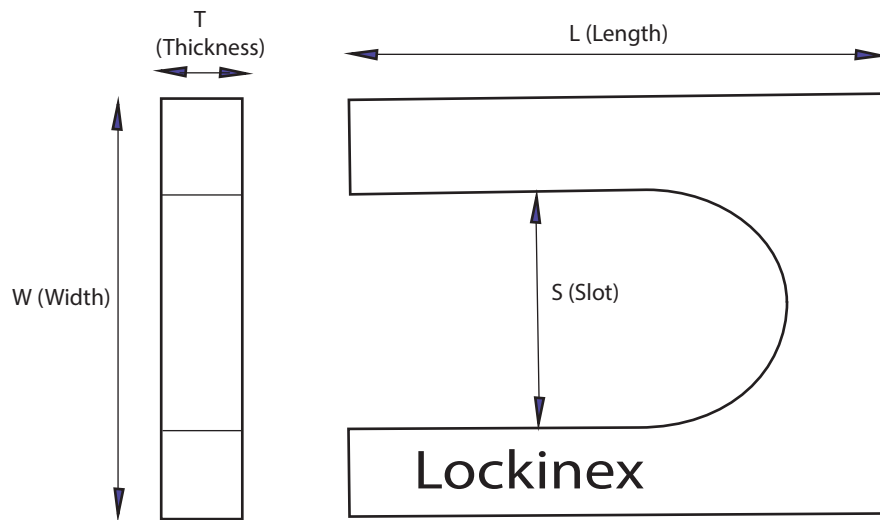
Lockinex holding down Stud, use with Chemical Resin. For use in concrete. Hot dip Galvanised finish.

F- M12 Tarmac fixing
 (For use in tarmac & concrete)



M12 x 100mm bolt and washer complete with rubber sleeve. Drill a 24mm dia. hole, with a depth of 80mm, into the tarmac. Insert rubber sleeve. Insert bolt and tighten to expand the sleeve. This fixing can be used with Lockinex speed humps, key clamp base plates, plastic bendy bollards, column guards & more.

A range of Hot dipped Galvanised Shims in varying thicknesses & sizes.
Stamped Lockinex.



Order Code	Shims 1mm Thick Range		
	Slot	Length	Width
TS-1145050	14	50	50
TS-11410050	14	100	50
TS-12210075	22	100	75
TS-125100100	25	100	100

Order Code	Shims 3mm Thick Range		
	Slot	Length	Width
TS-3145050	14	50	50
TS-31410050	14	100	50
TS-32210075	22	100	75
TS-325100100	25	100	100

Order Code	Shims 5mm Thick Range		
	Slot	Length	Width
TS-5145050	14	50	50
TS-51410050	14	100	50
TS-52210075	22	100	75
TS-525100100	25	100	100

Order Code	Shims 10mm Thick Range		
	Slot	Length	Width
TS-10145050	14	50	50
TS-101410050	14	100	50
TS-102210075	22	100	75
TS-1025100100	25	100	100