



# Fixings & Fastenings

Bright Zinc Plated, Galvanised & Stainless Steel

**Lockinex**<sup>®</sup>  
*great service, great quality*

## **INTRODUCTION**

The Lockinex Range of Fixings & Fastenings are manufactured in Bright Zinc Plate, Hot dipped galvanised & Stainless Steel. Structural Grade connection bolts and Holding Down bolts are designed to provide proven structural joints and anchoring points in concrete.

## **APPLICATION**

The range includes "Through-bolts" & "Studs" for anchoring structural members to concrete. High Grade Connection bolts are used for joining steel work, connection of Guardrail posts to steel work & more. Many other items such as "U" Bolts, Shims & Stainless Steel bolts are used throughout a range of installations.

## **DESIGN**

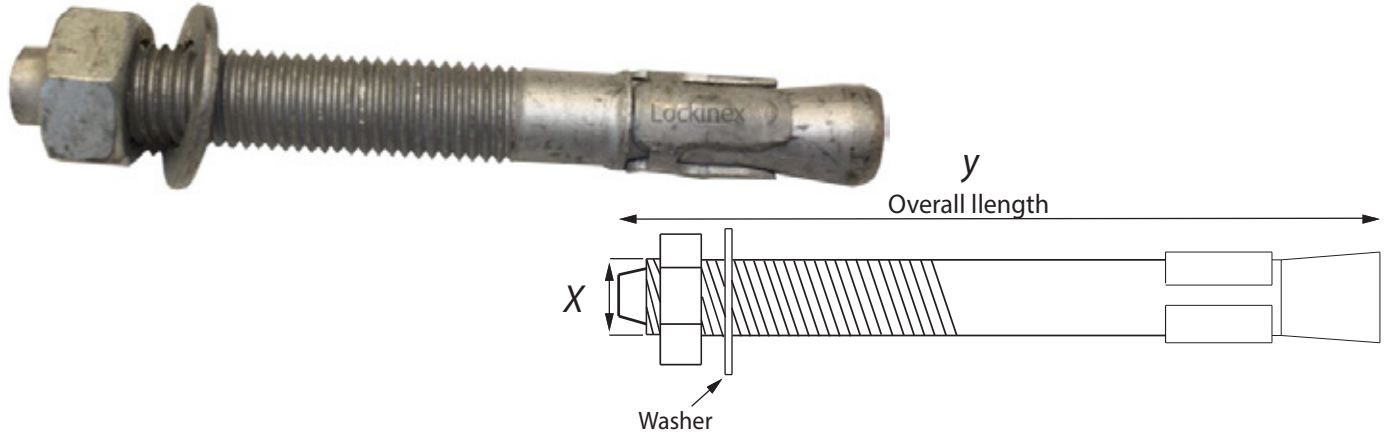
High grade bolts, with a high quality finish, for the more demanding environments.

Please refer to appropriate load tables.



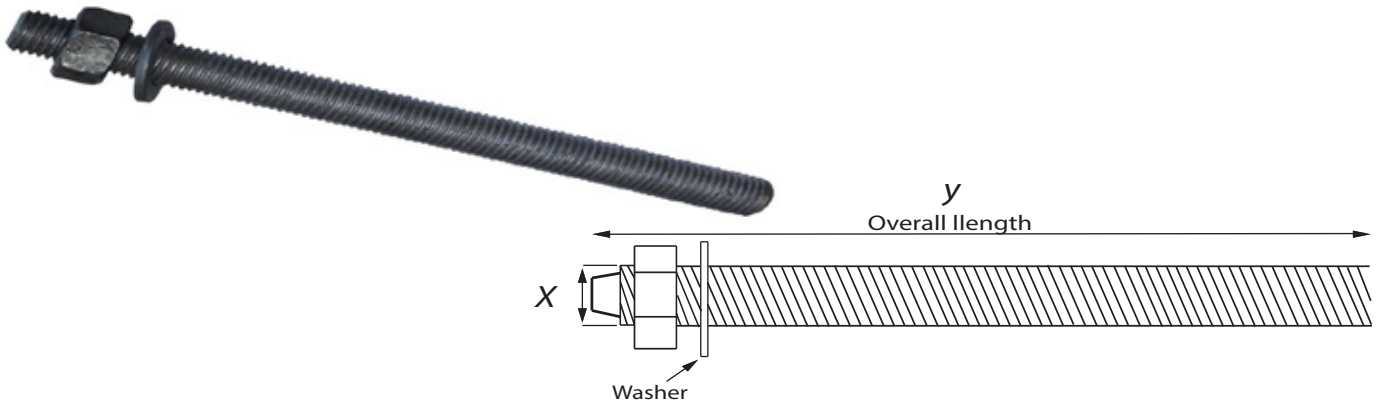
*Trouser Shim being inserted under a base plate to align and level the vertical post.*

F-M12(x) 100mm(y) Through Bolt -(Drill 12mm dia. hole)  
 F-M16(x) 140mm(y) Through Bolt - (Drill 16mm dia. hole)  
 F-M20(x) 160mm(y) Through Bolt - (Drill 20mm dia. hole)



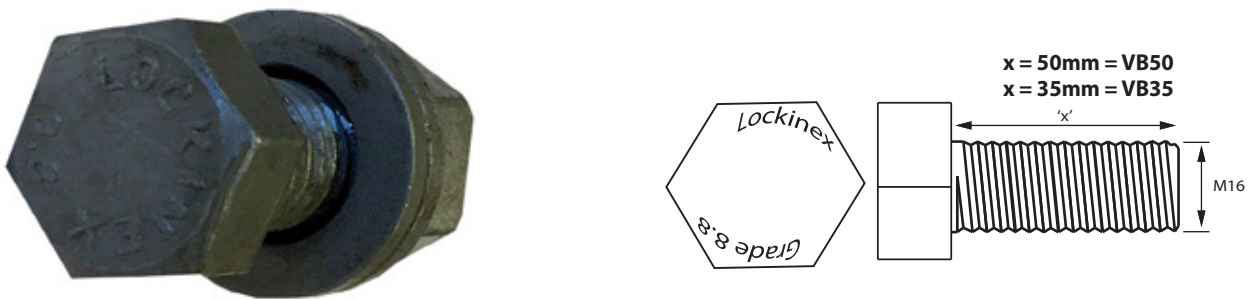
Lockinex holding down bolt. For use in concrete. Hot dip Galvanised finish.

F-M16(x) 190mm(y) Stud-Use with Chemical Resin System  
 F-M20(x) 260mm(y) Stud-Use with Chemical Resin System



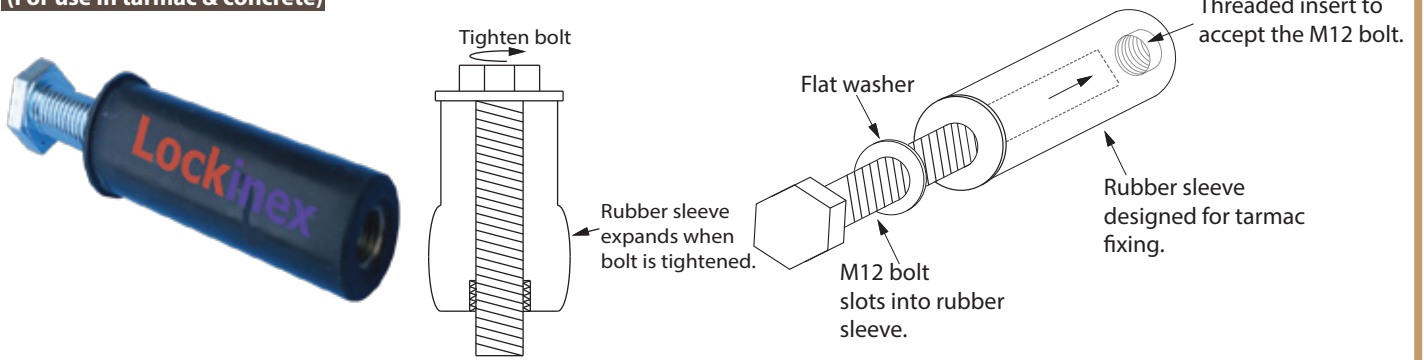
Lockinex holding down Stud, use with Chemical Resin.  
 For use in concrete. Hot dip Galvanised finish.

VB35- M16- Grade 8.8  
 VB50- M16- Grade 8.8



Lockinex 8.8 grade galvanised bolt, nut and 2 washers.-Manufactured & Supplied according to DIN15048-1.2007

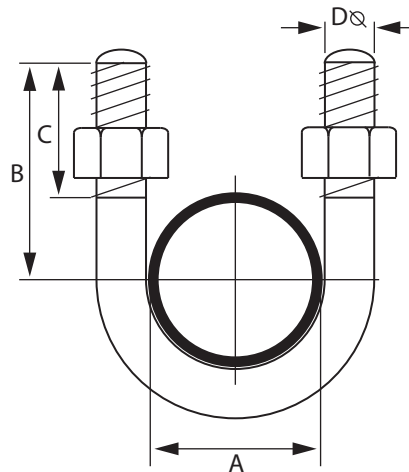
**F- M12 Tarmac fixing  
(For use in tarmac & concrete)**



**All measurements in (mm)**

M12 x 100mm bolt and washer complete with rubber sleeve. Drill a 24mm dia. hole, with a depth of 80mm, into the tarmac. Insert rubber sleeve. Insert bolt and tighten to expand the sleeve. This fixing can be used with Lockinex speed humps, key clamp base plates, plastic bendy bollards, column guards & more.

**U bolt-42.4mm  
U bolt-48.3mm  
U bolt-60.3mm**

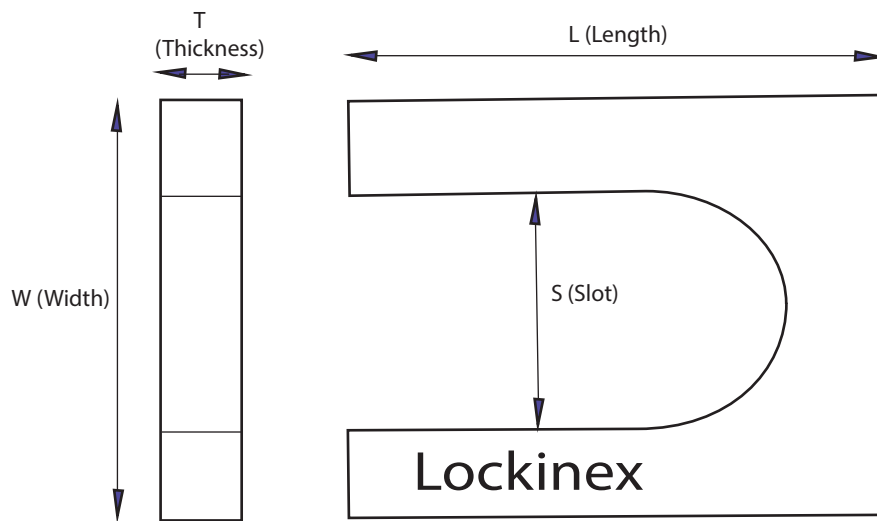


Product	A	B	C	D
U bolt-42.4mm	45	70	40	M10
U bolt-48.3mm	51	75	40	M10
U bolt-60.3mm	61	85	40	M10

**All measurements in (mm)**

M10 U bolt BZP complete with nuts to suite various size tube (42.4mm, 48.3mm or 60.3mm diameters). Product code displays the tube size.

A range of Hot dipped Galvanised Shims in varying thickness's & sizes.  
Stamped Lockinex.



**Order Code Shims 1mm Thick Range**

Order Code	Slot	Length	Width
TS-1145050	14	50	50
TS-11410050	14	100	50
TS-12210075	22	100	75
TS-125100100	25	100	100

**Order Code Shims 3mm Thick Range**

Order Code	Slot	Length	Width
TS-3145050	14	50	50
TS-31410050	14	100	50
TS-32210075	22	100	75
TS-325100100	25	100	100

**Order Code Shims 5mm Thick Range**

Order Code	Slot	Length	Width
TS-5145050	14	50	50
TS-51410050	14	100	50
TS-52210075	22	100	75
TS-525100100	25	100	100

**Order Code Shims 10mm Thick Range**

Order Code	Slot	Length	Width
TS-10145050	14	50	50
TS-101410050	14	100	50
TS-102210075	22	100	75
TS-1025100100	25	100	100

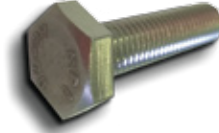
Stainless  
Steel-A2 (304)

Order Code

Description

FM1040HxA2

M10 x 40mm  
Threaded full.



FM10nutnyA2

M10 nut nylock



FM10washA2

M10 washer



FM10170HxA2

M10 x 170 Long  
Threaded 30mm



Bright Zinc Plated

Order Code

Description

FM1235BHsktbzp

M12 x 35mm Long Threaded full.

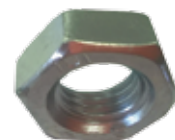


FM1250BHsktbzp

M12 x 50mm Long Threaded full.

FM12nutbzp

M12 Nut



FM12washbzp

M12 Washer

