



Ready Made "Quick" Kits
Utilising the Lockinex Key Clamp
range of fittings.

Lockinex[®]
great service, great quality

INTRODUCTION

Utilising the already proven, tried and tested Lockinex Key Clamps & Tubing, the "Quick" Kits offer speedy no fuss installations. Often specified when there are numerous repetitive runs of posts and horizontal rails. Pre-assembled, they are ready to fix into position. Simple insertion of the pre-cut horizontal rails quickly constructs a reliable guardrail.

APPLICATION

As with individual Clamps & Tube, (Please refer to the Lockinex Key Clamp Brochure for individual clamp properties) the ready-made "Quick" Kits are used in areas such as, Warehouses, Factories, Public Areas etc.

Available in Galvanised or powder coated coloured finish, their presence provides a reliable demarcation and restraining guardrail system.

DESIGN

The standard, stock design complies with current height regulations for guardrails.

The most common base plate is fitted to stock items. Other base plates/styles are available to order.

Along with mesh infill panels.

(Please refer to the Lockinex "Mesh Panels" brochure for further details on mesh options.

Please send your bespoke enquiries to the company, to receive a competitive price.

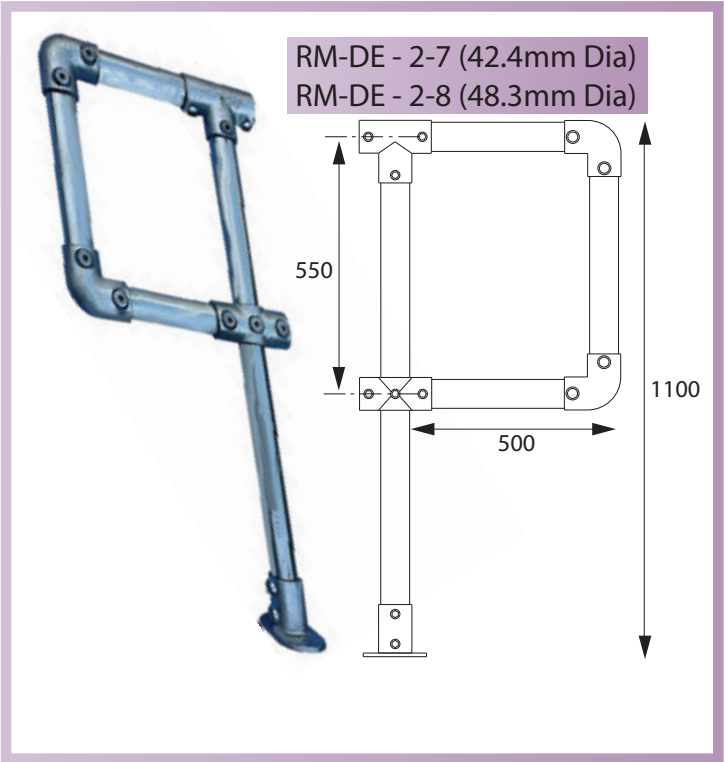
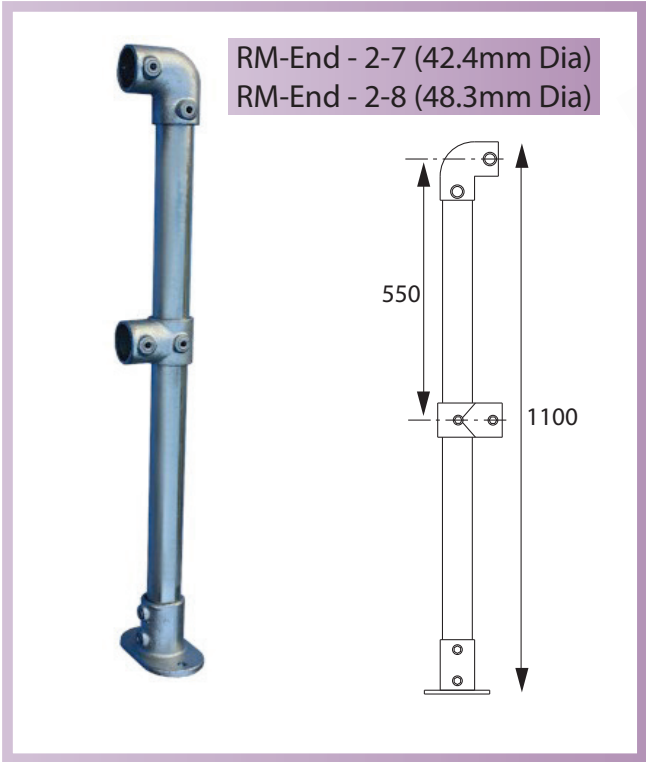
COMPOSITION, MANUFACTURE

Every clamp is subjected to a heat treatment process that gives the clamps their malleability and inherit strength. Once this process is completed the clamps are then shot blasted to provide a clean surface which is free from burrs and sharp edges.

The clamps are then galvanised to BS EN 1461:2009 to ensure that they resist corrosion and will provide a strong durable joint for many years ahead.

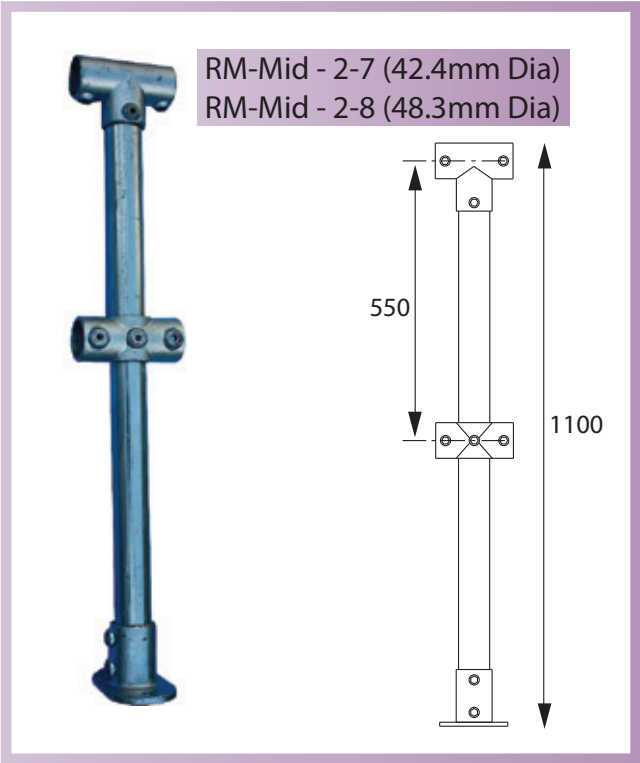
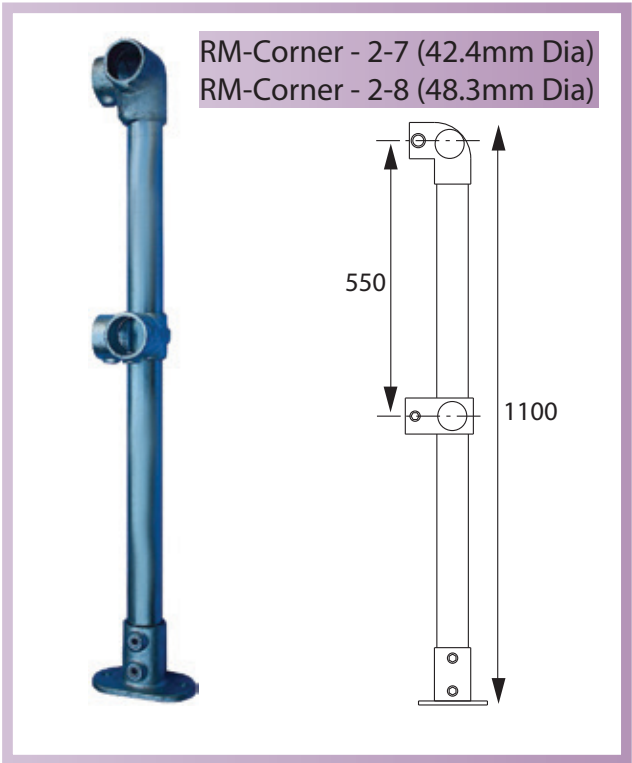
All clamps are supplied completely rust proofed and extra strong case hardened allen screws. Clamps and tubing can also be supplied polyester powder coated from a wide range of assorted colours.





Galvanised shown - Powder Coated also available.

All measurements in (mm)

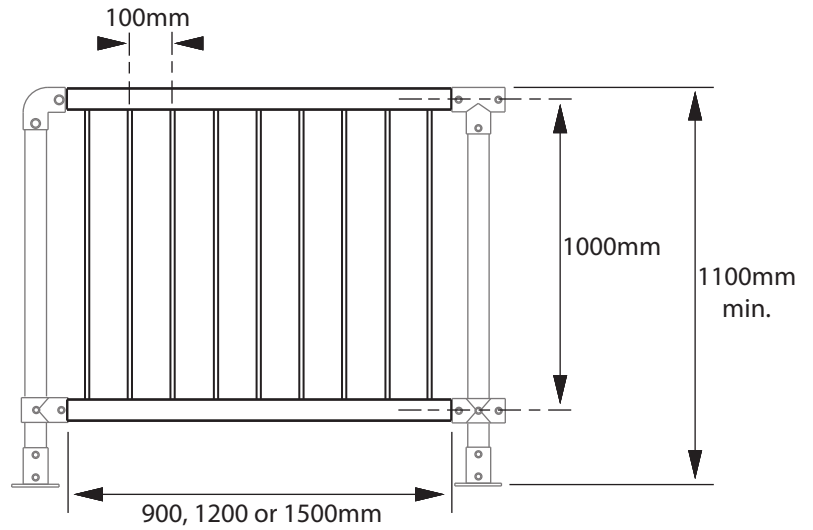


Galvanised shown - Powder Coated also available.

NOTE - Load tables for post spacings are available in the Lockinex key clamp brochure.

PGKC-900-8 (48.3mm)
 PGKC-1200-8 (48.3mm)
 PGKC-1500-8 (48.3mm)

1000mm tall, 900mm wide infill panel
 1000mm tall, 1200mm wide infill panel
 1000mm tall, 1500mm wide infill panel



Fencing infill panels used in conjunction with Lockinex key clamps and PGKC ready made key clamp kits. Standard infill panels can be easily cut down to suit site conditions. Posts shown in drawing are not included.

NOTE - Load tables for post spacings are available in the Lockinex key clamp brochure.

Galvanised shown - Powder Coated also available.

PGKC-Corner-8 (48.3mm)



Ready made corner post ready to accept PGKC infill panels. Utilises the Lockinex key clamp range. 48.3mm dia. post.

PGKC-Middle-8 (48.3mm)



Ready made middle post ready to accept PGKC infill panels. Utilises the Lockinex key clamp range. 48.3mm dia. post.

PGKC-End-8 (48.3mm)

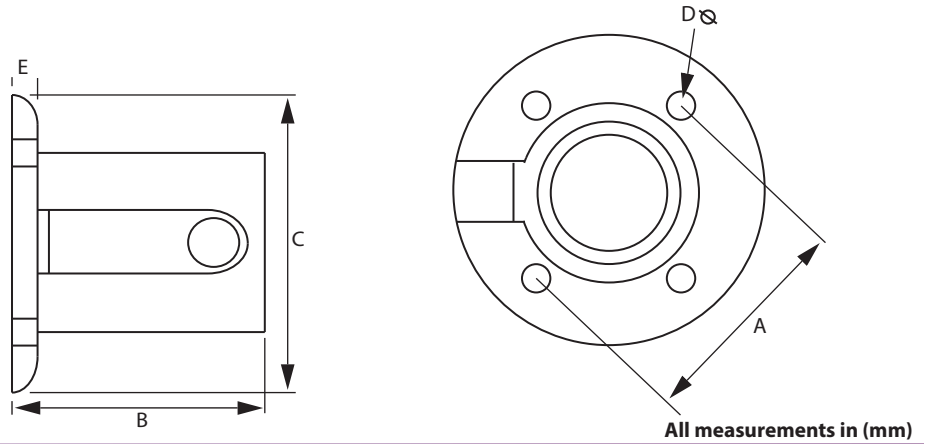


Ready made end post ready to accept PGKC infill panels. Utilises the Lockinex key clamp range. 48.3mm dia. post.

NOTE - Load tables for post spacings are available in the Lockinex key clamp brochure.

All measurements in (mm)

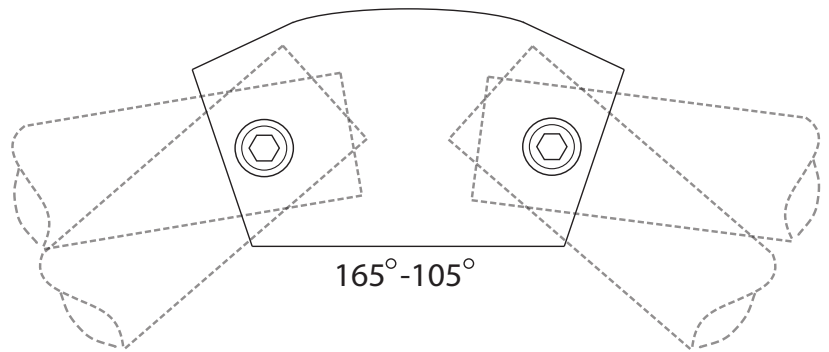
A10 - 7 (To suit 42.4mm dia tube)
A10 - 8 (To suit 48.3mm dia tube)



Handrail termination flange.

	'A'	'B'	'C'	'D'	'E'
A10 - 7	75	51	98	6	6
A10 - 8	85	54	112	10	6

A7 - 7 (To suit 42.4mm dia tube)
A7 - 8 (To suit 48.3mm dia tube)



Two tubes can be joined with an angle range of between 105 degrees - 165 degrees. Can be used for obtuse angle change in a handrail.

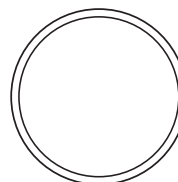
**T 42.4/48.3mm
Handrail tube**



1.5 mtr, 3.0 mtr or 6.0 mtr-Galvanised finish.
 (Other lengths can be cut to order-Please enquire)



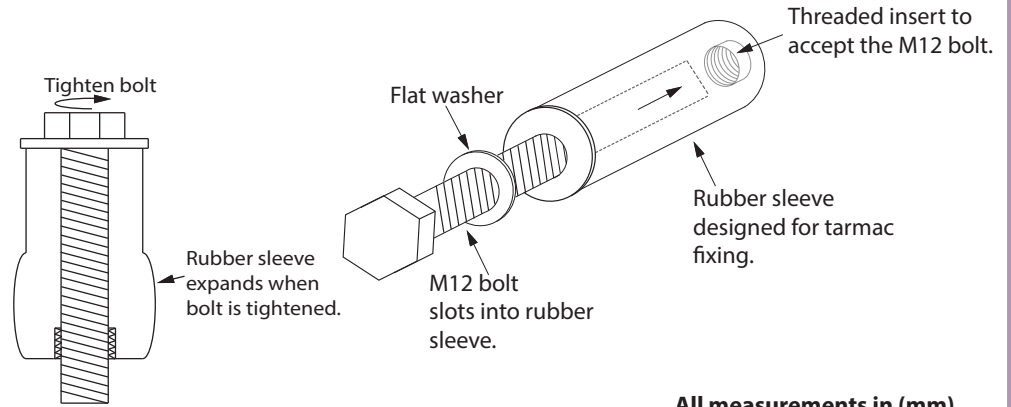
42.4 or 48.3 (26.9, 33.7 & 60.3mm dia also available)



All measurements in (mm)

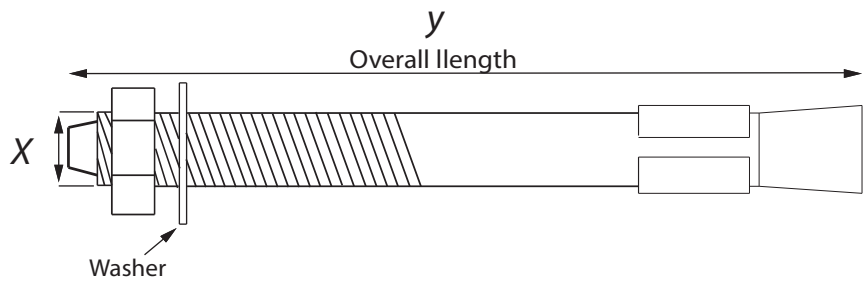
Ready made lengths of handrail tube are available in 1.5mtr, 3.0 mtr or 6 mtr lengths. Other lengths cut to order- Standard galvanised finish. Powder coated also available.

**F- M12 Tarmac fixing
(For use in tarmac & concrete)**



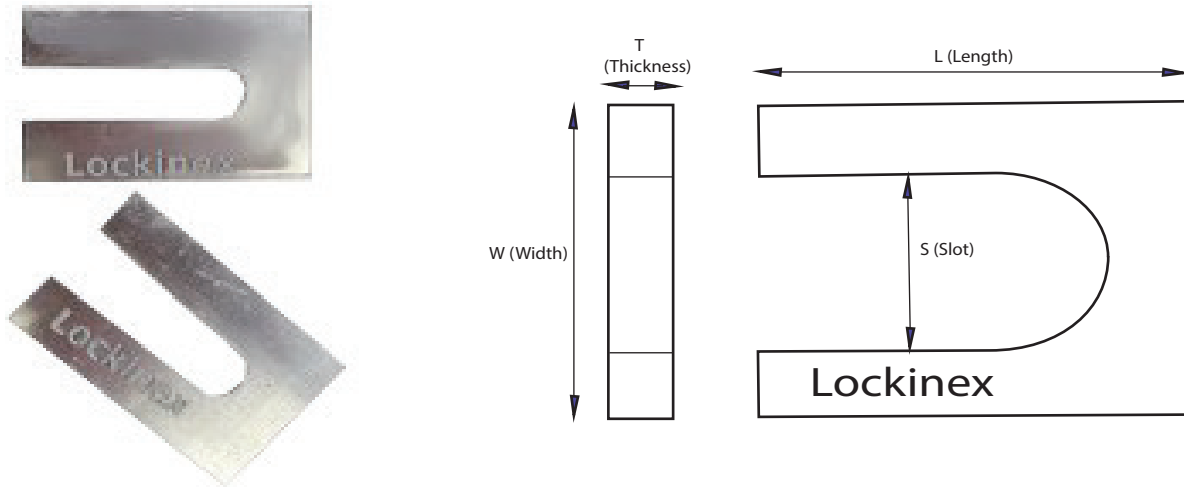
M12 x 100mm bolt and washer complete with rubber sleeve. Drill a 24mm dia. hole, with a depth of 80mm, into the tarmac. Insert rubber sleeve. Insert bolt and tighten to expand the sleeve. This fixing can be used with Lockinex speed humps, key clamp base plates, plastic bendy bollards, column guards & more.

F-M12(x) 100mm(y) Through Bolt -(Drill 12mm dia. hole)



Lockinex holding down bolt. For use in concrete. Hot dip Galvanised finish.

A range of Hot dipped Galvanised Shims in varying thickness's & sizes.
Stamped Lockinex.



Order Code Shims 1mm Thick Range

Order Code	Slot	Length	Width
TS-1145050	14	50	50
TS-11410050	14	100	50

Order Code Shims 3mm Thick Range

Order Code	Slot	Length	Width
TS-3145050	14	50	50
TS-31410050	14	100	50

Order Code Shims 5mm Thick Range

Order Code	Slot	Length	Width
TS-5145050	14	50	50
TS-51410050	14	100	50

Order Code Shims 10mm Thick Range

Order Code	Slot	Length	Width
TS-10145050	14	50	50
TS-101410050	14	100	50