



# Kick plates-Toe Boards

Complies to BS EN ISO 14122-3:2001

Satisfies BS 4590-0:2006+A1:2012

**Lockinex**<sup>®</sup>  
*great service, great quality*

## INTRODUCTION

The Lockinex range of Kick Plate/Toe Board, fixing brackets and joints, incorporates two types of design.

The Traditional "Flat" plate and our newly developed "C" Section.

Both products enable the quick and easy installation of an industrial robust system.

Removing the necessity of detailed drawings, welding and fabrication, these products are available directly from stock.

## APPLICATION

Regulatory requirements will dictate the use of a safety Kick Plate/Toe Board.

Many installations include, elevated walkways, edges of mezzanine floors, roof perimeter (See the Lockinex Roof Guardrail systems section).

## DESIGN

The unique designs of brackets and kick plate/Toe Board, ensure complete compliance with current UK & European regulations.

## COMPOSITION, MANUFACTURE

Manufactured in mild steel, the Kick Plate/Toe Boards and brackets are then galvanised To BS EN 1461:2009

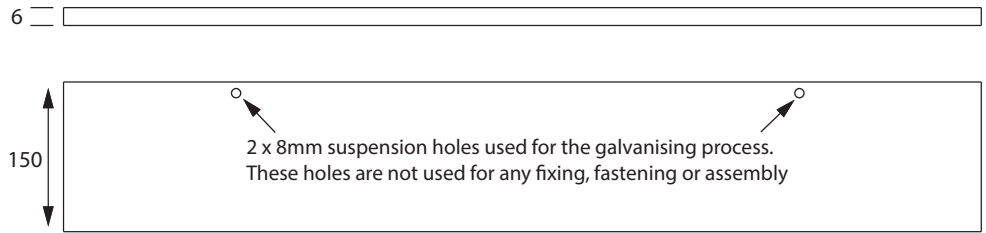


*Forginex 11 used at London City Airport*

**KP11- 3mtr Length (Stock item)**

**KP12- 6mtr Length (Made to order)**

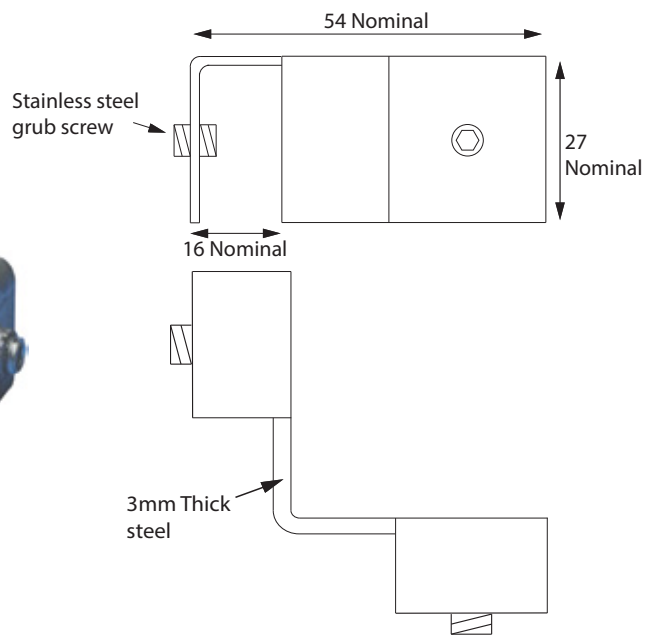
3mtr lengths-Stock Items (6mtr lengths to order)



KP11 - 3mtr Length (stock item)-Weight is approximately 13kg.  
Galvanised 150mm x 6mm toe-board. Use KP07 and KP08 to make joins and corners.  
KP12 - 6mtr Length (made to order)-Weight is approximately 26kg.

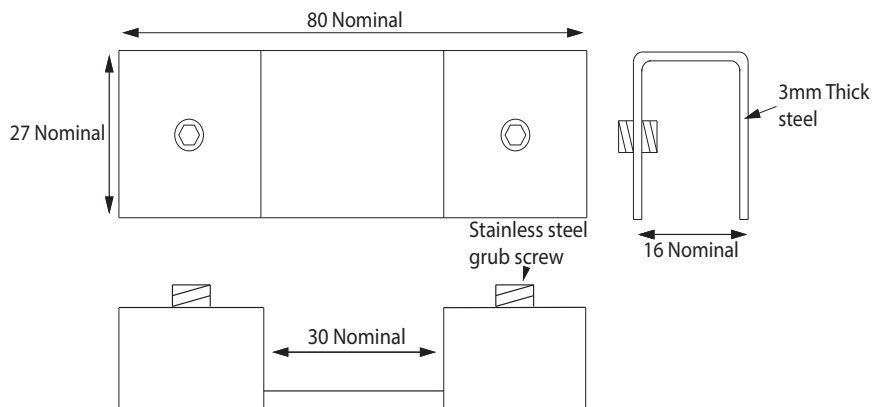
This product satisfies the CEN harmonised European standard BS EN ISO 14122-3:2001 when used with Lockinex Key Clamps and/or Ball Type Posts with horizontal rails set at 500mm centres max.

**KP07**



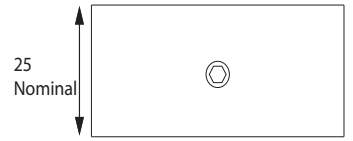
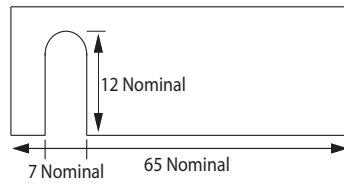
90 Degree corner joiner. For use with KP11 and KP12 toe-board.

**KP08**

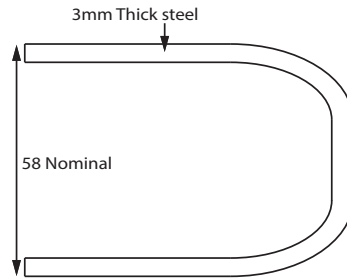
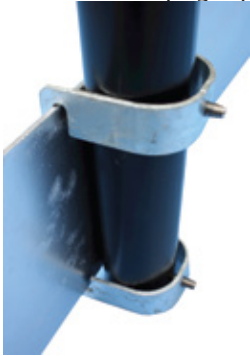


Straight joiner. For use with KP11 and KP12 toe-board.

**KP01 To suit 33.7mm dia. tube**  
**KP02 To suit 42.4mm & 48.3mm dia. tube**

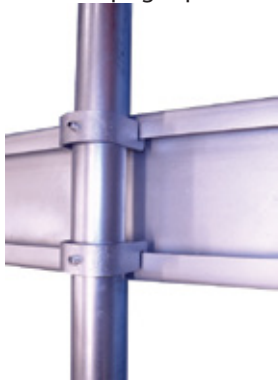


Wraps around the upright post and retains KP11/KP12.

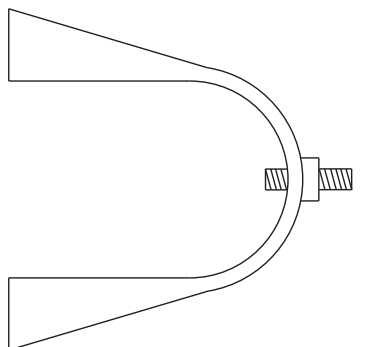
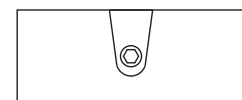
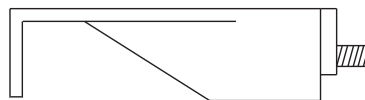


Stainless steel grub screw.  
 The KPO2 comes with 2 screws.  
 One screw is 9mm long and the  
 other is 16mm long. Use the  
 longer to suit 42.4mm dia tube  
 and the shorter one to suit 48.3mm  
 dia tube.

Wraps around the upright post and retains Forginex-11.



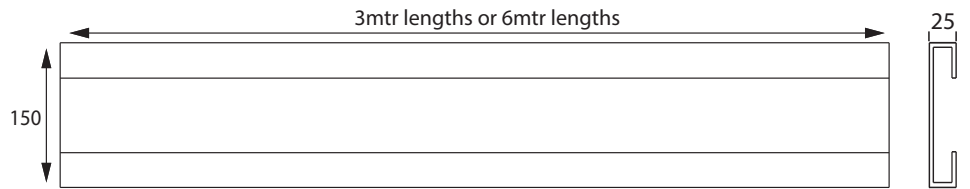
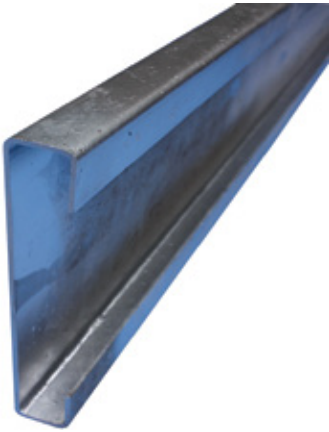
**KP04 To suit 33.7mm dia. tube**  
**KP05 To suit 42.4mm & 48.3mm dia. tube**



Stainless steel grub screw.  
 The KPO5 comes with 2 screws.  
 Use the longer screw to suit 42.4mm dia tube  
 and the shorter one to suit 48.3mm  
 dia tube.

Wraps around the upright post and retains KP11/KP12.

**Forginex-11A-3mtr Length  
Forginex-11 -6mtr Length**



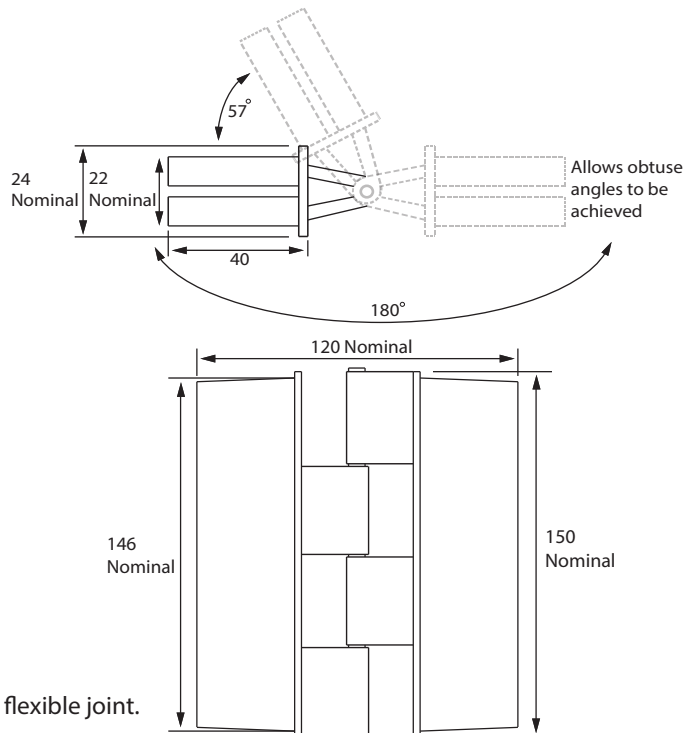
**FORGINEX-11A-3mtr Length  
FORGINEX-11-6mtr Length**

**Weight is approximately 13kg.  
Weight is approximately 26kg.**

**Galvanised steel toe-board. Use Lockinex-07 to make in-line joins and corners or Lockinex-06 to cap off the end.**

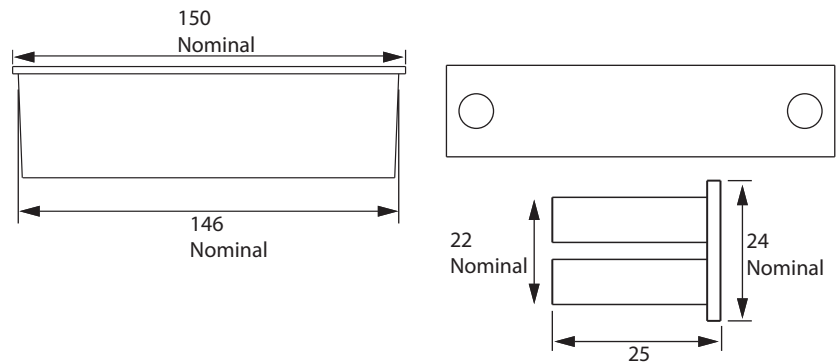
**This product satisfies the CEN harmonised European standard BS EN ISO 14122-3:2001 when used with Lockinex Key Clamps and/or Ball Type Posts with horizontal rails set at 500mm centres max.**

**Lockinex-07**



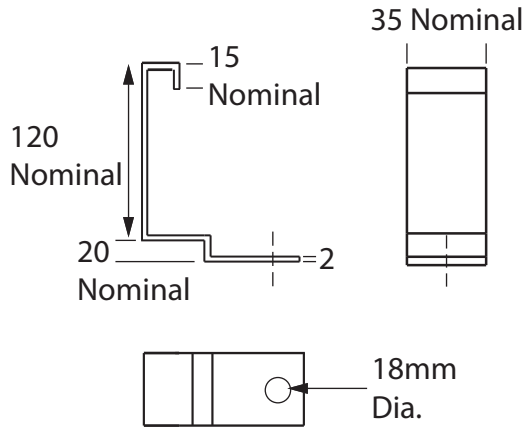
Joins the end of two Forginex 11, constructs a flexible joint.

**Lockinex-06**



Used to neatly cap the end of the Forginex 11.

**Lockinex-02**



**A12 Base plate**

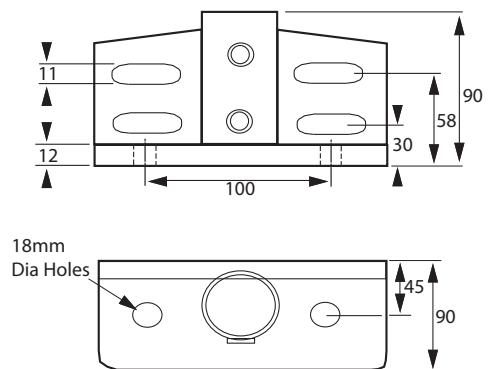
Inserts into Forginex 11, affix to either A12 Lockinex Key Clamp Base Plate, or HS1 base plate (The HS1 base plate is of a welded construction. This is a component of the Lockinex "Ball Type" Handrail System).



**HS1 Base plate**

The kick plate/Toe Board & Lockinex-02 can be drilled through and either bolted to retain, or use self tapping screw to retain.

**A13-7 To suit 42.4mm dia. tube  
A13-8 To suit 48.3mm dia. tube**



Generally used with KP11/KP12. Can also be used with Forginex 11.