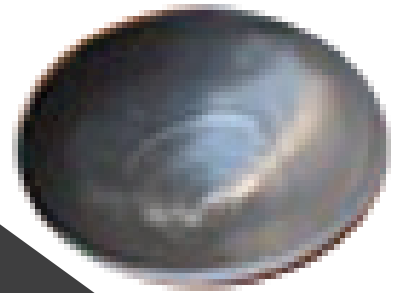


# Welding Elbows, Caps & Discs



**Lockinex**<sup>®</sup>  
*great service, great quality*

# Weldable Elbows

Manufactured from high quality seamless steel tubing



Lockinex™ welding elbows for handrails and balustrades are ideally suited for tubular constructions where aesthetics are of prime importance. The use of these welding elbows enables tight bends and curves to be obtained even on large diameter tubes and resolves the problem of either sharp mitred edges or distortion, which occurs on tubes when radiused. They provide a neat safe joint which is permanent and strong.

The engineer will benefit from the highest quality of manufacture giving dimensional accuracy.

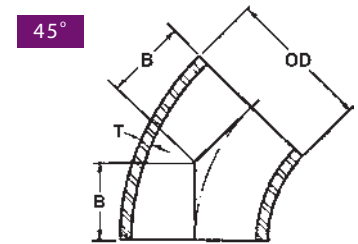
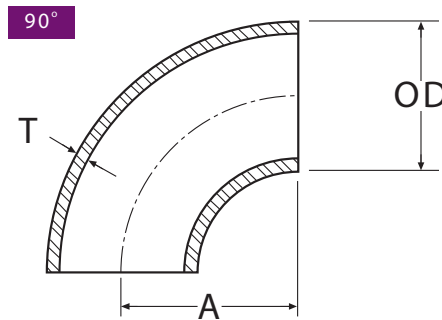
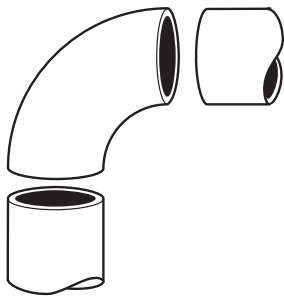
If required Lockinex™ welding elbows can be trimmed back to obtain any type of angle. After fabrication all kinds of finish can be applied to the material.

## Application

Lockinex™ welding elbows are available to suit a large range of tube sizes. Typical uses are for handrail, street furniture, protection barriers and all other types of tubular constructions.

The smooth streamlined finish allows installation in any environment whether the completed structure is painted, galvanised, polyester and powder coated or chrome plated etc.

The standard material finish is self colour (i.e. raw metal)

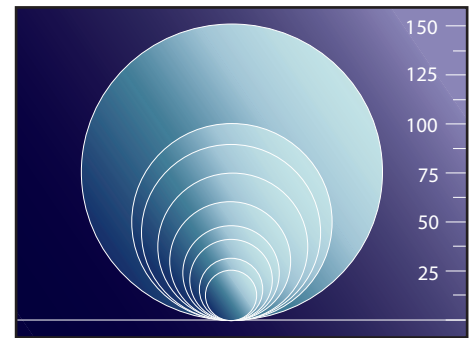
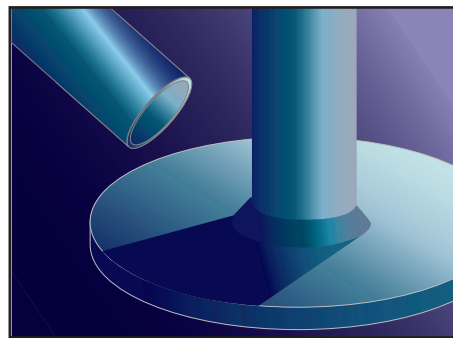


Elbow type	Outside diameter		Nominal bore		"T" wall thickness	90° ELBOW	45° ELBOW
	mm	Ins	mm	Ins		Radius & centre to face "A"	Radius & centre to face "B"
21.3	21.3	27/32	15	1/2	2.00	27.5mm	-
26.9	26.9	1 1/16	20	3/4	2.30	29.0mm	-
33.7	33.7	1 1/32	25	1	2.60	38.0mm	16.0mm
42.4	42.4	1 1/16	32	1 1/4	2.60	47.5mm	20.0mm
48.3	48.3	1 29/32	40	1 1/2	2.60	57.0mm	24.0mm
60.3	60.3	2 3/8	50	2	2.90	76.0mm	-
76.1	76.1	3	65	2 1/2	2.90	95.0mm	-
88.9	88.9	3 1/2	80	3	3.20	119.0mm	-
114.3	114.3	4 1/2	100	4	3.60	152.0mm	-
139.7	139.7	5 1/2	125	5	4.00	190.0mm	-
168.3	168.3	-	-	-	4.00	229.0mm	-

# Weld Discs

For capping ends of tubes, making base plates and wall flanges.

Mild steel, Self colour ready for welding.

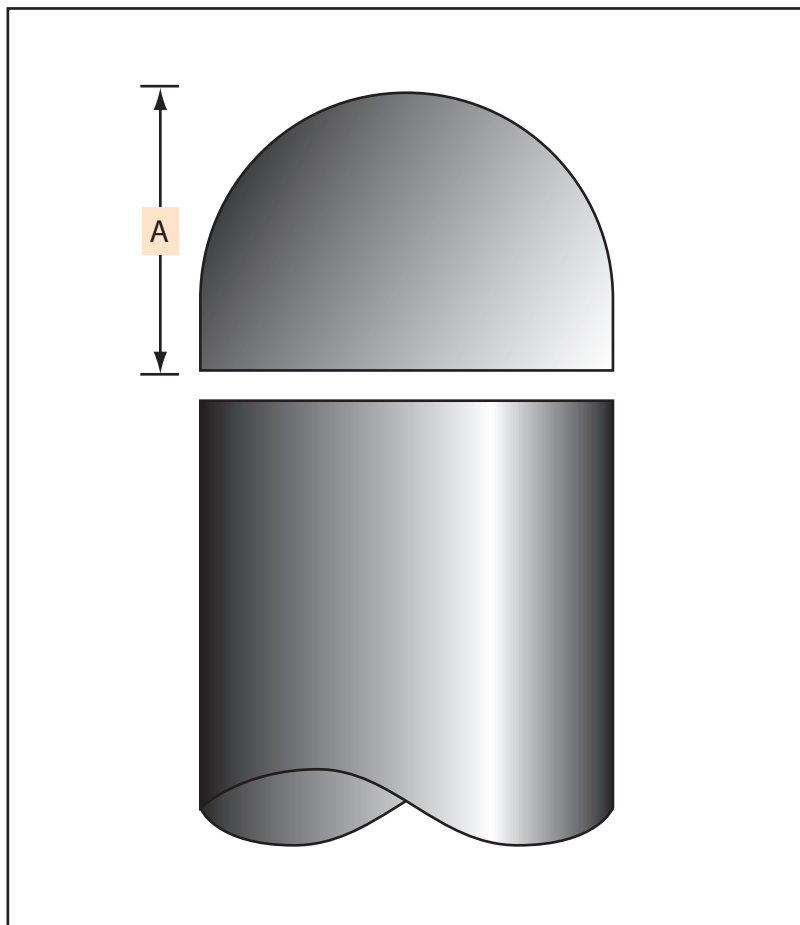


Disc dia.	Code	Disc thickness			
		3mm	5mm	6mm	10mm
32mm	D-32		-	-	-
38mm	D-38		-	-	-
41mm	D-41		-	-	-
47mm	D-47			-	-
50mm	D-50	-	-		-
60mm	D-60	-		-	-
75mm	D-75	-	-		-
89mm	D-89	-	-		-
100mm	D-100		-		-
127mm	D-127	-		-	
150mm	D-150	-		-	

# Weld Caps

For smooth finishes to ends of tubes

Mild steel, Self colour ready for welding.



Code	To suit diameter	Dim 'A'
WC - 5	26.9mm	15mm
WC - 6	33.7mm	25mm
WC - 7	42.4mm	28mm
WC - 8	48.3mm	28mm
WC - 9	60.3mm	35mm
WC - 10	76.1mm	35mm
WC - 11	88.9mm	32mm
WC - 12	114.3mm	41mm

